

Keysight Add 4-Port Capability Upgrade Kit

To Upgrade PNA-X N5241A, N5242A or N5249A Option 219 to Option 419

For Analyzers with Serial Numbers Prefixed MY/SG/US5150 and Below

Upgrade Kit Order Numbers: N5241AU- 942, N5242AU- 942 and N5249AU- 942

Keysight Kit Number: N5242-60108

Notices

© Keysight Technologies, Inc.
2009-2015

No part of this manual may be reproduced in any form or by any means (including electronic storage and retrieval or translation into a foreign language) without prior agreement and written consent from Keysight Technologies, Inc. as governed by United States and international copyright laws.

Trademark Acknowledgments

Manual Part Number

N5242-90016

Edition

June 2015

Printed in USA/Malaysia

Published by:
Keysight Technologies
1400 Fountaingrove Parkway
Santa Rosa, CA 95403

Warranty

THE MATERIAL CONTAINED IN THIS DOCUMENT IS PROVIDED "AS IS," AND IS SUBJECT TO BEING CHANGED, WITHOUT NOTICE, IN FUTURE EDITIONS. FURTHER, TO THE MAXIMUM EXTENT PERMITTED BY APPLICABLE LAW, KEYSIGHT DISCLAIMS ALL WARRANTIES, EITHER EXPRESS OR IMPLIED WITH REGARD TO THIS MANUAL AND ANY INFORMATION CONTAINED HEREIN, INCLUDING BUT NOT LIMITED TO THE IMPLIED WARRANTIES OF MERCHANTABILITY AND FITNESS FOR A PARTICULAR PURPOSE. KEYSIGHT SHALL NOT BE LIABLE FOR ERRORS OR FOR INCIDENTAL OR CONSEQUENTIAL DAMAGES IN CONNECTION WITH THE FURNISHING, USE, OR PERFORMANCE OF THIS DOCUMENT OR ANY INFORMATION CONTAINED HEREIN. SHOULD KEYSIGHT AND THE USER HAVE A SEPARATE WRITTEN AGREEMENT WITH WARRANTY TERMS COVERING THE MATERIAL IN THIS

DOCUMENT THAT CONFLICT WITH THESE TERMS, THE WARRANTY TERMS IN THE SEPARATE AGREEMENT WILL CONTROL.

Technology Licenses

The hardware and/or software described in this document are furnished under a license and may be used or copied only in accordance with the terms of such license.

U.S. Government Rights

The Software is "commercial computer software," as defined by Federal Acquisition Regulation ("FAR") 2.101. Pursuant to FAR 12.212 and 27.405-3 and Department of Defense FAR Supplement ("DFARS") 227.7202, the U.S. government acquires commercial computer software under the same terms by which the software is customarily provided to the public.

Accordingly, Keysight provides the Software to U.S. government customers under its standard commercial license, which is embodied in its End User License Agreement (EULA), a copy of which can be found at

<http://www.keysight.com/find/sweula>

The license set forth in the EULA represents the exclusive authority by which the U.S. government may use, modify, distribute, or disclose the Software. The EULA and the license set forth therein, does not require or permit, among other things, that Keysight: (1) Furnish technical information related to commercial computer software or commercial computer software documentation that is not customarily provided to the public; or (2) Relinquish to, or otherwise provide, the government rights in excess of these rights customarily provided to the public to use, modify, reproduce, release, perform, display, or disclose commercial computer software or commercial computer software documentation. No additional

government requirements beyond those set forth in the EULA shall apply, except to the extent that those terms, rights, or licenses are explicitly required from all providers of commercial computer software pursuant to the FAR and the DFARS and are set forth specifically in writing elsewhere in the EULA. Keysight shall be under no obligation to update, revise or otherwise modify the Software. With respect to any technical data as defined by FAR 2.101, pursuant to FAR 12.211 and 27.404.2 and DFARS 227.7102, the U.S. government acquires no greater than Limited Rights as defined in FAR 27.401 or DFAR 227.7103-5 (c), as applicable in any technical data.

Safety Notices

CAUTION

A **CAUTION** notice denotes a hazard. It calls attention to an operating procedure, practice, or the like that, if not correctly performed or adhered to, could result in damage to the product or loss of important data. Do not proceed beyond a CAUTION notice until the indicated conditions are fully understood and met.

WARNING

A **WARNING** notice denotes a hazard. It calls attention to an operating procedure, practice, or the like that, if not correctly performed or adhered to, could result in personal injury or death. Do not proceed beyond a WARNING notice until the indicated conditions are fully understood and met.

Description of the Upgrade

NOTE

This upgrade kit is only for analyzers with serial numbers prefixed MY/SG/US5150 and below. If the serial number prefix of your analyzer is above this number, do NOT proceed with the upgrade. Analyzers with serial numbers prefixed MY/SG/US5150 and below were manufactured prior to February 2012, and have a older chassis style that requires older synthesizer boards (included in this kit) without screw tabs. For more information on part numbers, refer to Chapter 6 in the Service Guide. See [“Downloading the Online PNA Service Guide” on page 6.](#)

NOTE

In June 2013, the N5241A/AS and N5242A/AS analyzers underwent significant hardware changes. Some components that have 2.4 mm connectors (bias tees, couplers, and some semi-rigid cables) were replaced with components that have 3.5 mm connectors. Your analyzer was originally shipped with 2.4 mm components. Bias tees with 2.4 mm connectors are no longer available, so the bias tees and connecting cables included in this kit have 3.5 mm connectors. Since they are interconnected, the 2.4 mm couplers and connecting cables in your analyzer must be replaced with the new 3.5 mm items included in this kit.

This upgrade converts your N5241A or N5242A Option 219 2-port analyzer to a N5241A or N5242A Option 419 4-port analyzer by adding:

- an additional 26.5 GHZ source board
- an additional 13.5 GHZ source synthesizer board
- an additional mixer brick
- two additional bridges
- four couplers
- four bias tees
- two additional source attenuators
- two additional receiver attenuators
- a splitter
- a modified front panel, including 2 new test ports
- many new cables

Getting Assistance from Keysight

Installing this upgrade kit requires special skills and experience. If you think you may not be qualified to do the work, or need advice, contact Keysight.

Contacting Keysight

Assistance with test and measurements needs and information on finding a local Keysight office are available on the Web at:

<http://www.keysight.com/find/assist>

If you do not have access to the Internet, please contact your Keysight field engineer.

NOTE

In any correspondence or telephone conversation, refer to the Keysight product by its model number and full serial number. With this information, the Keysight representative can determine whether your product is still within its warranty period.

If You Have Problems With the Upgrade Kit Contents

Keysight stands behind the quality of the upgrade kit contents. If you have problems with any item in the kit, email Keysight Component Test Division (CTD) Support at support_ctd-soco@keysight.com, or telephone the CTD Hotline at (707) 577-6802 and leave a voice mail message. Please include details of the problem.

Getting Prepared

CAUTION

The PNA contains extremely sensitive components that can be ruined if mishandled. Follow instructions carefully when making cable connections, especially wire harness connections.

The person performing the work accepts responsibility for the full cost of the repair or replacement of damaged components.

To successfully install this upgrade kit, you will need the following:

- A license key - refer to **“License Key Redemption”** below.
- A PDF copy or a paper copy of the PNA Service Guide - refer to **“Downloading the Online PNA Service Guide”** below.
- An ESD-safe work area - refer to **“Protecting Your Workspace from Electrostatic Discharge”** below.
- Correct tools - refer to **“Tools Required for the Installation”** on page 7.
- Enough time - refer to **“About Installing the Upgrade”** on page 7.
- Test equipment for the post-upgrade adjustments. To view the equipment list, click the Chapter 3 bookmark “Tests and Adjustments” in the PDF Service Guide¹.

License Key Redemption

NOTE

The enclosed Option Entitlement Certificate is a receipt, verifying that you have purchased a licensed option for the PNA of your choice. You must now use a Keysight Web page to request a license key for the instrument that will receive the option.

To enable the option product, you must request a license key from: <http://www.keysight.com/find/softwarelicense>. To complete the request, you will need to gather the following information:

- From the certificate
 - Order number
 - Certificate number
- From your instrument
 - Model number
 - Serial number
 - Host ID

1. See **“Downloading the Online PNA Service Guide”** on page 6.

Description of the Upgrade Getting Prepared

The instrument information is available on the network analyzer – on the analyzer’s Help menu, click About Network Analyzer.

If you provide an email address, Keysight will promptly email your license key. Otherwise, you will receive your license key via postal mail.

Downloading the Online PNA Service Guide

To view the online Service Guide for your PNA model number, use the following steps:

1. Go to www.keysight.com.
2. In the Search box, enter the model number of the analyzer (Ex: N5242A) and click **Search**.
3. Click **Technical Support > Manuals**.
4. Click **Service Manual**.
5. Click the service guide title to download the PDF file.
6. When the PDF of the Service Guide is displayed, scroll through the Contents section bookmarks to locate the information needed.

Protecting Your Workspace from Electrostatic Discharge

For information, click on the Chapter 1 bookmark, “Electrostatic Discharge Protection” in the PDF Service Guide¹.

ESD Equipment Required for the Installation

Description	Keysight Part Number
ESD grounding wrist strap	9300-1367
5-ft grounding cord for wrist strap	9300-0980
2 x 4 ft conductive table mat and 15-ft grounding wire	9300-0797
ESD heel strap (for use with conductive floors)	9300-1308

Description of the Upgrade
Getting Prepared

Tools Required for the Installation

Description	Qty	Part Number
T-10 TORX driver - set to 9 in-lbs (1.02 N.m)	1	N/A
T-20 TORX driver - set to 21 in-lbs (2.38 N.m)	1	N/A
5/16-in (8 mm) nutsetter or open end torque wrench- set to 10 in-lbs (1.13 N.m)	1	N/A
5/16-in (8 mm) nutsetter or open end torque wrench - set to 21 in-lbs (2.38 N.m)	1	N/A
3/16-in (5 mm) nutsetter or open end torque wrench - set to 6 in-lbs (0.68 N.m)	1	N/A
5/8-in (16 mm) nutsetter or open end torque wrench - set to 21 in-lbs (2.38 N.m)	1	N/A
1-in (25.4 mm) torque wrench - set to 72 in-lbs (8.15 N.m)	1	N/A
1/4-in (6 mm) open end wrench	1	N/A

CAUTION

Use a 5/16-in torque wrench set to 10 in-lbs on all cable connections except the front and rear panel bulkhead connectors. Torque these connections to 21 in-lb.

About Installing the Upgrade

Products affected	N5241A, N5242A and N5249A Option 219
Installation to be performed by	Keysight service center or personnel qualified by Keysight
Estimated installation time	5 hours
Estimated adjustment time	0.5 hours
Estimated full instrument calibration time	4.5 hours

Description of the Upgrade
Items Included in the Upgrade Kit

Items Included in the Upgrade Kit¹

Check the contents of your kit against the following list. If any part is missing or damaged, contact Keysight Technologies. Refer to **“Getting Assistance from Keysight” on page 4.**

Table 1 Contents of Upgrade Kit N5242-60108

Ref Desig.	Description	Qty	Part Number
-	Installation note (this document)	1	N5242-90016
A8	26.5 GHz source 2 board	1	5087-7837 Was 5087-7307
A13	13.5 GHz source 2 synthesizer board ^a	3	N5240-60076 Was N5242-60166
A22	Splitter	1	5087-7139
A24	Mixer brick 2	1	5087-7829 Was 5087-7766, or 5087-7722
A26	Test port 3 bridge	2	5087-7757 Was 5087-7315
A27	Test port 4 bridge		
A29	Test port 1 coupler	4	5087-7813
A30	Test port 3 coupler		
A31	Test port 4 coupler		
A32	Test port 2 coupler		
A35	Test port 3 source attenuator	2	33321-60077 Was 33321-60070
A36	Test port 4 source attenuator		
A38	Test port 1 bias tee (includes wire harness)	4	5067-4865 Was 5067-4855, 5087-7781
A39	Test port 3 bias tee (includes wire harness)		
A40	Test port 4 bias tee (includes wire harness)		
A41	Test port 2 bias tee (includes wire harness)		
A43	Test port 3 receiver attenuator	2	33321-60078 Was 33321-60066
A44	Test port 4 receiver attenuator		

1. In addition to the upgrade kit, the shipment includes an Option Entitlement Certificate. Refer to **“License Key Redemption” on page 5** for important information about this certificate.

Description of the Upgrade
Items Included in the Upgrade Kit

Table 1 Contents of Upgrade Kit N5242-60108

Ref Desig.	Description	Qty	Part Number
-	Machine screw, M3.0 x 6, flat head (to attach lower front dress panel to the test set front plate)	4	0515-1227
-	Machine screw, M3.0 x 20, pan head (3 to attach mixer brick 2 to mounting block; 4 to attach 2 bridges to brackets)	7	0515-1410
-	Machine screw, M3.0 x 8, pan head (2 to attach mixer brick 2 to mounting block; 8 to attach 2 src attn. and 2 rcvr attn. to brackets)	10	0515-0372
-	Machine screw, M3.0 x 6, pan head (4 to attach 2 bridges to deck; 6 to attach 2 attn. assy. to deck)	10	0515-0430
-	Machine screw, M3.0 x 14, pan head (4 to attach 2 bias tees to brackets)	4	0515-2994 Was 0515-0665
-	Machine screw, M4 x 10, pan head (to attach A8 source 2 board to A19 motherboard)	2	0515-0380
-	Bulkhead connector assembly for test set front plate	15	1250-3805
-	Front frame, 1-piece, machined, 4-port	1	N5247-20141 Was N5245-20128
-	Lower front panel overlay, 4-port (all instruments without Option 029)	1	N5222-80006 Was N5242-80003
-	Keypad overlay	1	N5242-80005
-	Power switch overlay	1	N5242-80007
-	Nameplate, N5241A	1	N5241-80001
-	Nameplate, N5242A	1	N5242-80006
-	Test set front plate, 4-port	1	N5221-00007
-	Gap pad (between each coupler and test set front plate)	4	E4403-20033
-	Vibration mount (between couplers 1 & 3, and 2 & 4)	2	0460-2725
-	Mounting nuts (for port 3 & 4 test port couplers)	2	5022-1087
-	Short (for Mixer Brick A24) (NOT for option 029)	1	0960-0055
-	Cable guard	1	N5242-00030
-	Tie wrap, to secure cables to side of deck	6	1400-0249
-	Bracket for test port bridge	2	N5242-00006
-	Bracket for source and receiver attenuator	2	N5242-00007
-	Dust cap for test port	4	1401-0214
W2	A13 13.5 GHz source 2 synth board J1207 to A8 26.5 GHz source 2 board P1	1	N5222-20090
W5	A8 source 2 to W6	1	N5222-20062

Description of the Upgrade
Items Included in the Upgrade Kit

Table 1 Contents of Upgrade Kit N5242-60108

Ref Desig.	Description	Qty	Part Number
W6	W5 to A26 port 3 bridge	1	N5222-20041
W7	A8 source 2 to W8	1	N5222-20063
W8	W7 to A27 port 4 bridge	1	N5222-20042
W14	A29 port 1 coupler to front-panel Port 1 CPLR ARM	1	N5222-20030
W17	A26 port 3 bridge to front-panel REF 3 SOURCE OUT	1	N5222-20023
W18	A30 port 3 coupler to front-panel Port 3 CPLR ARM	1	N5222-20015
W21	A27 port 4 bridge to front-panel REF 4 SOURCE OUT	1	N5222-20025
W22	A31 port 4 coupler to front-panel Port 4 CPLR ARM	1	N5222-20018
W26	A32 port 2 coupler to front-panel Port 2 CPLR ARM	1	N5222-20034
W30	Front panel jumpers	6	N5222-20091
W38	REF 3 RCVR R3 IN to A24 mixer brick (R3)	1	N5242-20270
W39	REF 4 RCVR R4 IN to A24 mixer brick (R4)	1	N5242-20271
W42	A21 HMA26.5 to A22 splitter	1	N5222-20009
W43	A22 splitter to A23 mixer brick	1	N5222-20007
W44	A22 splitter to A24 mixer brick	1	N5222-20008
W52	A23 mixer brick (R1) to A20 IF multiplexer (P411)	1	N5242-60021
W53	A23 mixer brick (R2) to A20 IF multiplexer (P412)	1	N5242-60022
W55	A24 mixer brick (D) to A20 IF multiplexer (P801)	1	N5242-60024
W56	A24 mixer brick (R4) to A20 IF multiplexer (P414)	1	N5242-60019
W57	A24 mixer brick (R3) to A20 IF multiplexer (P413)	1	N5242-60020
W58	A24 mixer brick (C) to A20 IF multiplexer (P601)	1	N5242-60023
W60	A20 IF multiplexer (P203) to A12 SPAM (J2)	1	N5242-60013
W62	A20 IF multiplexer (P603) to A12 SPAM (J5)	1	N5242-60015
W67	A10 frequency reference board J7 to A13 13.5 GHz source 2 synth board J5	1	N5242-60030
W73	Front panel Port 1 CPLR THRU to A38 port 1 bias tee	1	N5222-20029
W74	A38 port 1 bias tee to A29 port 1 coupler	1	N5222-20012
W75	A26 port 3 bridge to A35 port 3 source attenuator	1	N5222-20002
W76	A35 port 3 source attenuator to front-panel Port 3 SOURCE OUT	1	N5222-20019
W77	Port 3 CPLR THRU to A39 port 3 bias tee	1	N5222-20016

Description of the Upgrade
Items Included in the Upgrade Kit

Table 1 Contents of Upgrade Kit N5242-60108

Ref Desig.	Description	Qty	Part Number
W78	A39 port 3 bias tee to A30 port 3 coupler	1	N5222-20011
W79	A27 port 4 bridge to A36 port 4 source attenuator	1	N5222-20001
W80	A36 port 4 source attenuator to front-panel Port 4 SOURCE OUT	1	N5222-20020
W81	Port 4 CPLR THRU to A40 port 4 bias tee	1	N5222-20017
W82	A40 port 4 bias tee to A31 port 4 coupler	1	N5222-20014
W85	Front-panel Port 2 CPLR THRU to A41 port 2 bias tee	1	N5222-20035
W86	A41 port 2 bias tee to A32 port 2 coupler	1	N5222-20013
W89	Port 3 RCVR C IN to A43 port 3 receiver attenuator	1	N5222-20021
W90	A43 port 3 receiver attenuator to A24 mixer brick (C)	1	N5242-20306
W91	Port 4 RCVR D IN to A44 port 4 receiver attenuator	1	N5222-20022
W92	A44 port 4 receiver attenuator to A24 mixer brick (D)	1	N5242-20307
W125	A52 port 1 bypass switch to A38 bias tee	1	N5242-20296
-	Ribbon cable, A19 test set motherboard J202 to A35 port 3 source attenuator	2	N5242-60008
-	Ribbon cable, A19 test set motherboard J203 to A36 port 4 source attenuator		
-	Ribbon cable, A19 test set motherboard J206 to A43 port 3 receiver attenuator	2	8121-0982
-	Ribbon cable, A19 test set motherboard J207 to A44 port 4 receiver attenuator		
-	Ribbon cable, A19 test set motherboard J213 to A24 mixer brick 2	1	N5242-60006
A PNA Option 219 with Option 029 being upgraded to Option 419 with Option 029 will require the items previously listed and the following items also.			
-	Lower front panel overlay, 4-port (all options with 029)	1	N5242-80012
W140	A24 mixer brick to A55 noise downconverter	1	N5242-20294

- a. The three 13.5 GHz Synthesizer boards included in this kit are the RoHS compliant N5240-60076 boards. These new boards are not compatible with the old N5230-60002 13.5 GHz Synthesizer boards. If the boards installed in your PNA are the old N5230-60002, you must replace ALL of them with the N5240-60076 boards included in this kit - refer to your PNA Service Guide's chapter 7 for instructions. If your PNA already contains the new boards, scrap the two extra N5240-60076 boards included in this kit.

For the new N5240-60076 boards to function properly in your PNA, you must upgrade your PNA firmware to rev A09.33xx or above. Download PNA firmware at: <http://na.support.keysight.com/pna/firmware/firmware.html>.

NOTE

Extra quantities of items such as protective plastic caps, screws, cable ties, and cable clamps may be included in this upgrade kit. It is normal for some of these items to remain unused after the upgrade is completed.

Installation Procedure for the Upgrade

The network analyzer must be in proper working condition prior to installing this option. Any necessary repairs must be made before proceeding with this installation.

WARNING

This installation requires the removal of the analyzer's protective outer covers. The analyzer must be powered down and disconnected from the mains supply before performing this procedure.

Overview of the Installation Procedure

- “Step 1. Obtain a Keyword and Verify the Information.”
- “Step 2. Remove the Outer Cover.”
- “Step 3. Remove the Inner Cover.”
- “Step 4. Remove the Front Panel Assembly.”
- “Step 5. Remove the A19 Test Set Motherboard.”
- “Step 6. Remove Some Existing Test Set Cables.”
- “Step 7. Remove the A23 Mixer Brick Assembly.”
- “Step 8. Assemble the A24 Mixer Brick and A22 Splitter.”
- “Step 9. Assemble the A26 and A27 Test Port Bridges.”
- “Step 10. Install the Mixer Bricks Assembly and Test Port Bridge Assemblies.”
- “Step 11. Assemble the A35 and A36 Source Attenuators and the A43 and A44 Receiver Attenuators.”
- “Step 12. Install the Bias Tees and the Attenuator Assemblies.”
- “Step 13. Assemble the A29 - A32 Test Port Coupler Assemblies.”
- “Step 14. Install the LED Boards and Test Port Coupler Assemblies to the Test Set Front Plate.”
- “Step 15. Install the Bulkhead Connectors in the Test Set Front Plate.”
- “Step 16. Install the Coupler Plate Assembly to the Deck.”
- “Step 17. Install the Second Source Boards.”
- “Step 18. Install the Test Set Cables.”
- “Step 19. Secure the Front Panel Bulkhead Connectors.”
- “Step 20. Reinstall the A19 Test Set Motherboard.”
- “Step 21. Disassemble the 2-Port Front Panel and Assemble the 4-Port Front Panel.”

“Step 22. Reinstall the Front Panel Assembly.”

“Step 23. Install the Front Panel Overlays.”

“Step 24. Install the Front Panel Jumper Cables.”

“Step 25. Position the Cables and Wires to Prevent Pinching.”

“Step 26. Reinstall the Inner Cover.”

“Step 27. Reinstall the Outer Cover.”

“Step 28. Remove Option 219 License.”

“Step 29. Enable Options P04 and 419.”

“Step 30. Perform Post-Upgrade Adjustments and Calibration.”

“Step 31. Prepare the PNA for the User.”

Step 1. Obtain a Keyword and Verify the Information

Follow the instructions on the Option Entitlement Certificate supplied to obtain a license key for installation of this upgrade. Refer to **“License Key Redemption” on page 5**.

Verify that the model number, serial number, and option number information on the license key match those of the instrument on which this upgrade will be installed.

If the model number, serial number, or option number do not match those on your license key, you will not be able to install the option. If this is the case, contact Keysight for assistance before beginning the installation of this upgrade. Refer to **“Contacting Keysight” on page 4**.

Once the license key has been received and the information verified, you can proceed with the installation at step 2.

Step 2. Remove the Outer Cover

For instructions, click the Chapter 7 bookmark “Removing the Covers” in the PDF Service Guide¹.

Step 3. Remove the Inner Cover

For instructions, click the Chapter 7 bookmark “Removing the Covers” in the PDF Service Guide¹.

Step 4. Remove the Front Panel Assembly

For instructions, click the Chapter 7 bookmark “Removing and Replacing the Front Panel Assembly” in the PDF Service Guide¹.

1. See **“Downloading the Online PNA Service Guide” on page 6**.

Step 5. Remove the A19 Test Set Motherboard

For instructions, click the Chapter 7 bookmark “Removing and Replacing the A19 Test Set Motherboard” in the PDF Service Guide¹.

Step 6. Remove Some Existing Test Set Cables

NOTE

Leave the gray flexible cables, the wire harnesses, and the ribbon cables connected where possible. Any that are removed should be labeled for reconnection later.

CAUTION

Be careful not to damage the center pins of the semirigid cables. Some flexing of the cables may be necessary but do not over-bend them.

1. Place the analyzer bottom-side up on a flat surface.
2. Remove and discard the following gray flexible cables:
 - W150 A20 IF multiplexer (P203) to A12 SPAM (J5)
 - W140 A20 IF multiplexer (P603) to A12 SPAM (J2)
3. Remove all bottom-side semirigid cables except for those in the table below. To see an image showing the location of these cables, click the Chapter 6 bookmark “Bottom RF Cables, 2-Port, Option 219” in the PDF Service Guide¹. Do not discard the cables because some will be reused later in the procedure.

Reference Designator	Type ^a	Qty	Description
W3	SR	1	A5 source (1) to W4
W9	SR	1	A5 source (1) to W10
W45	SR	1	A5 source (1) to W46
Option 029 only:			
W131	SR	1	Adapter, coax, straight, m-m, 50 ohm
W141	SR	1	A55 noise downconverter to A7 noise receiver board LO
W143	SR	1	A55 noise downconverter to A7 noise receiver board RF

a. SR = semirigid coaxial cable.

4. Leave the gray flexible cables, the wire harnesses, and the ribbon cables connected where possible. Any that are removed should be labeled for reconnection later.

Step 7. Remove the A23 Mixer Brick Assembly

Remove the A23 mixer brick assembly from the PNA. For instructions, click the Chapter 7 bookmark, “Removing and Replacing the A23 and A24 Mixer Bricks” in the PDF Service Guide¹.

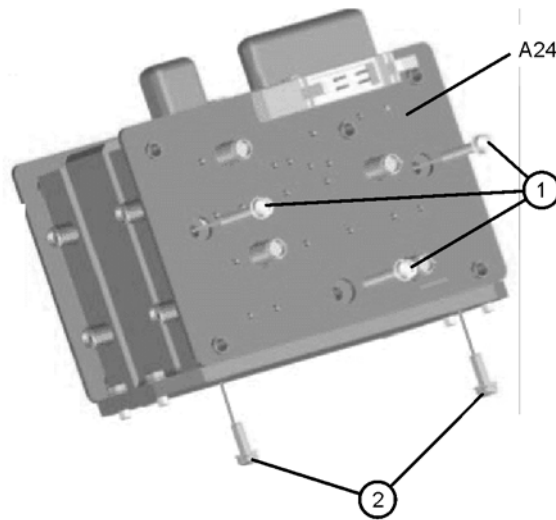
Step 8. Assemble the A24 Mixer Brick and A22 Splitter

Refer to **Figure 1** in this document for this step. New parts are listed in **Table 1 on page 8** of this document.

1. Install the A24 mixer brick (5087-7829) to the mounting block by hand-starting three screws (item ①; 0515-1410). Do not tighten.
2. Install two screws (item ②; 0515-0372) and torque to 9 in-lbs.
3. Go back and torque the three screws (item ①; 0515-1410) to 9 in-lbs.

Figure 1

A24 Mixer Brick Assembly



N5242_016_05

Refer to **Figure 2** in this document for the remainder of this step.

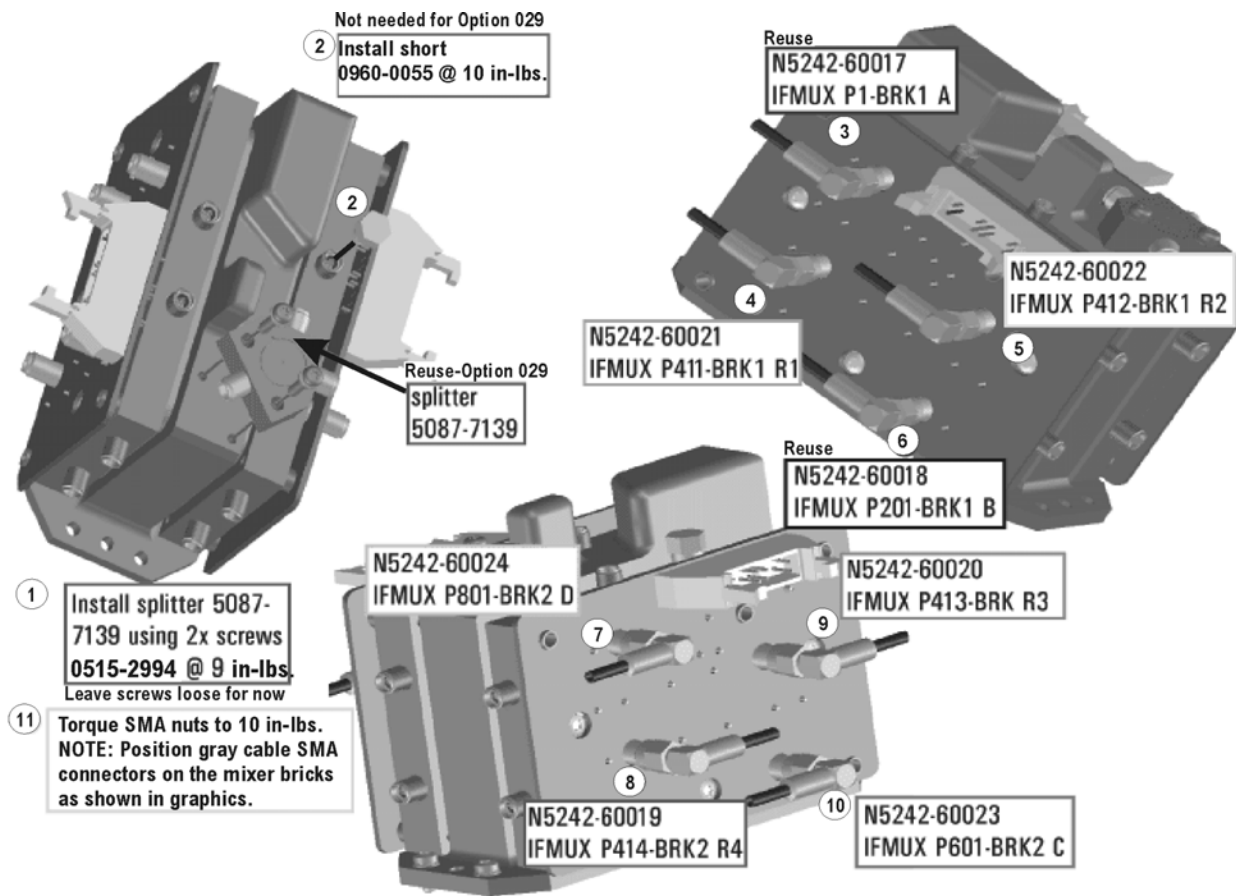
1. See [“Downloading the Online PNA Service Guide” on page 6](#).

4. Follow the eleven instructions shown in **Figure 2**. If the PNA does include Option 029, omit instruction 2 and the unnumbered instruction to install a splitter - it is already installed. New parts are listed in **Table 1 on page 8** of this document.

NOTE

Graphics in this document such as **Figure 2** use very brief text to instruct where to connect a cable. For example, text that reads “N5242-60018 IFMUX P201 - BRK1 B” means to connect the N5242-60018 gray flexible cable at the A20 IF MUX board connector P201 and at A23 Mixer Brick 1 connector B.

Figure 2 A23 and A24 Mixer Brick Assembly



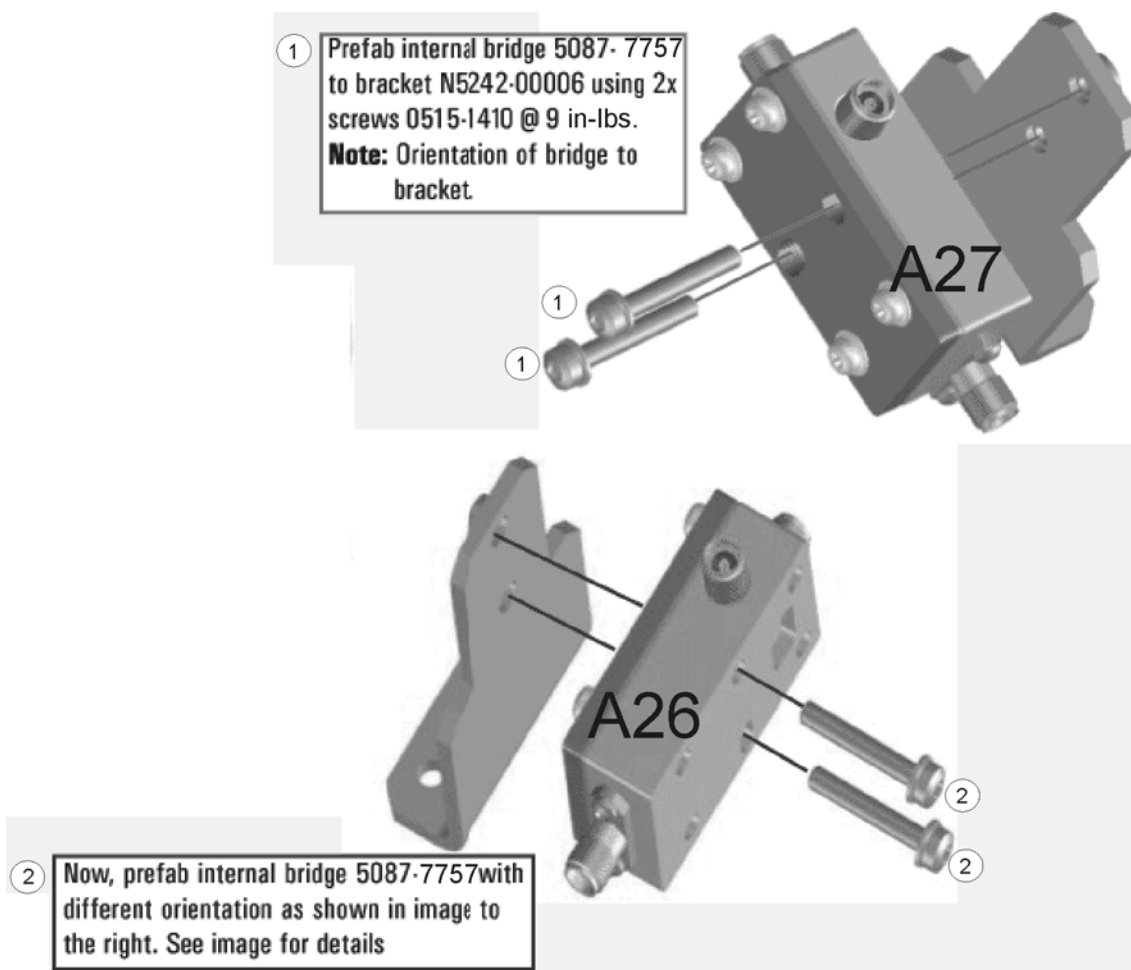
N5242_016_06

Step 9. Assemble the A26 and A27 Test Port Bridges

Follow the two instructions shown in **Figure 3**.

Figure 3

A26 and A27 Test Port Bridge Assembly

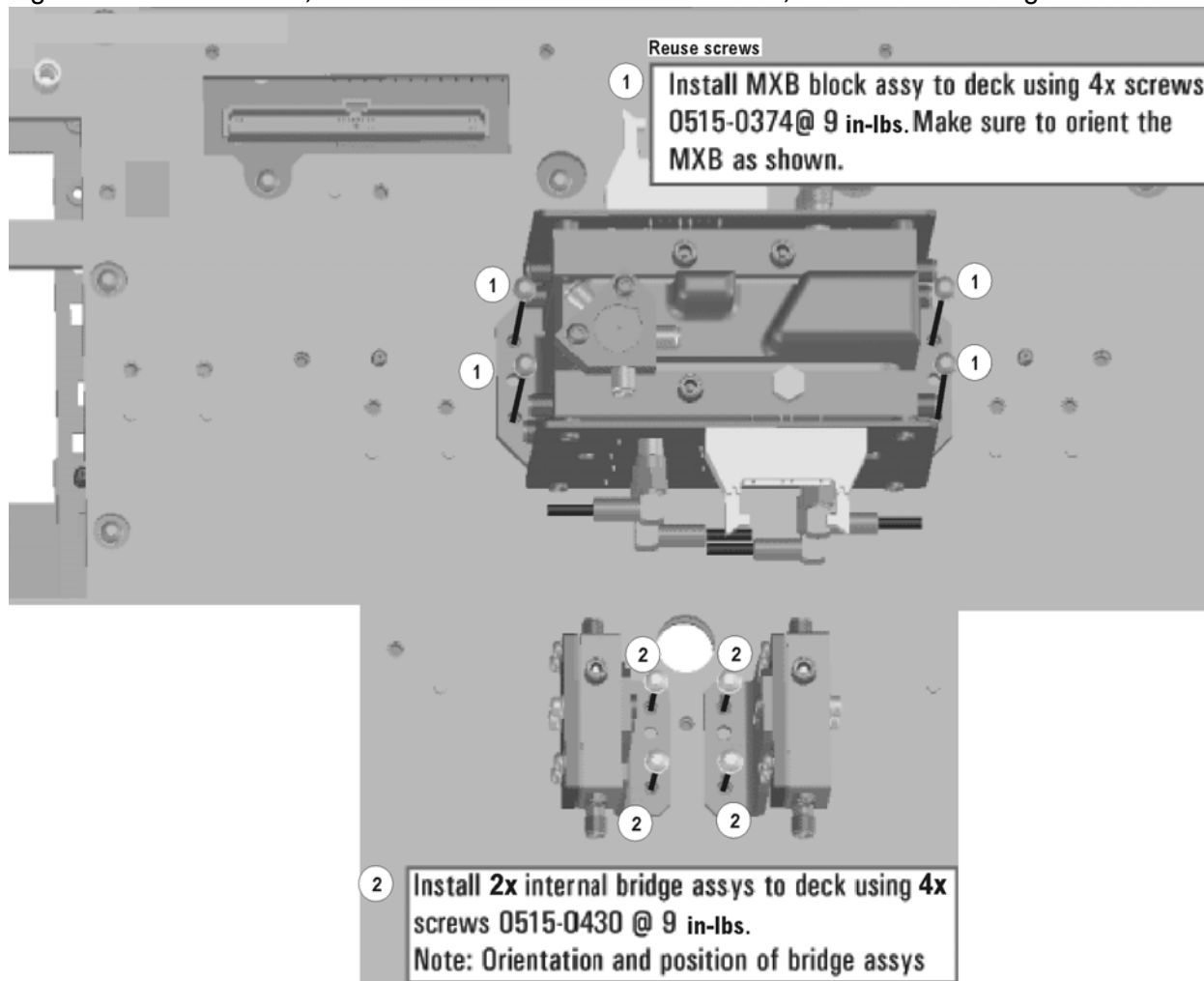


N5242_016_07

Step 10. Install the Mixer Bricks Assembly and Test Port Bridge Assemblies

Follow the two instructions shown in [Figure 4](#).

Figure 4 A23, A24 Mixer Bricks Installation and A26, A27 Test Port Bridges Installation

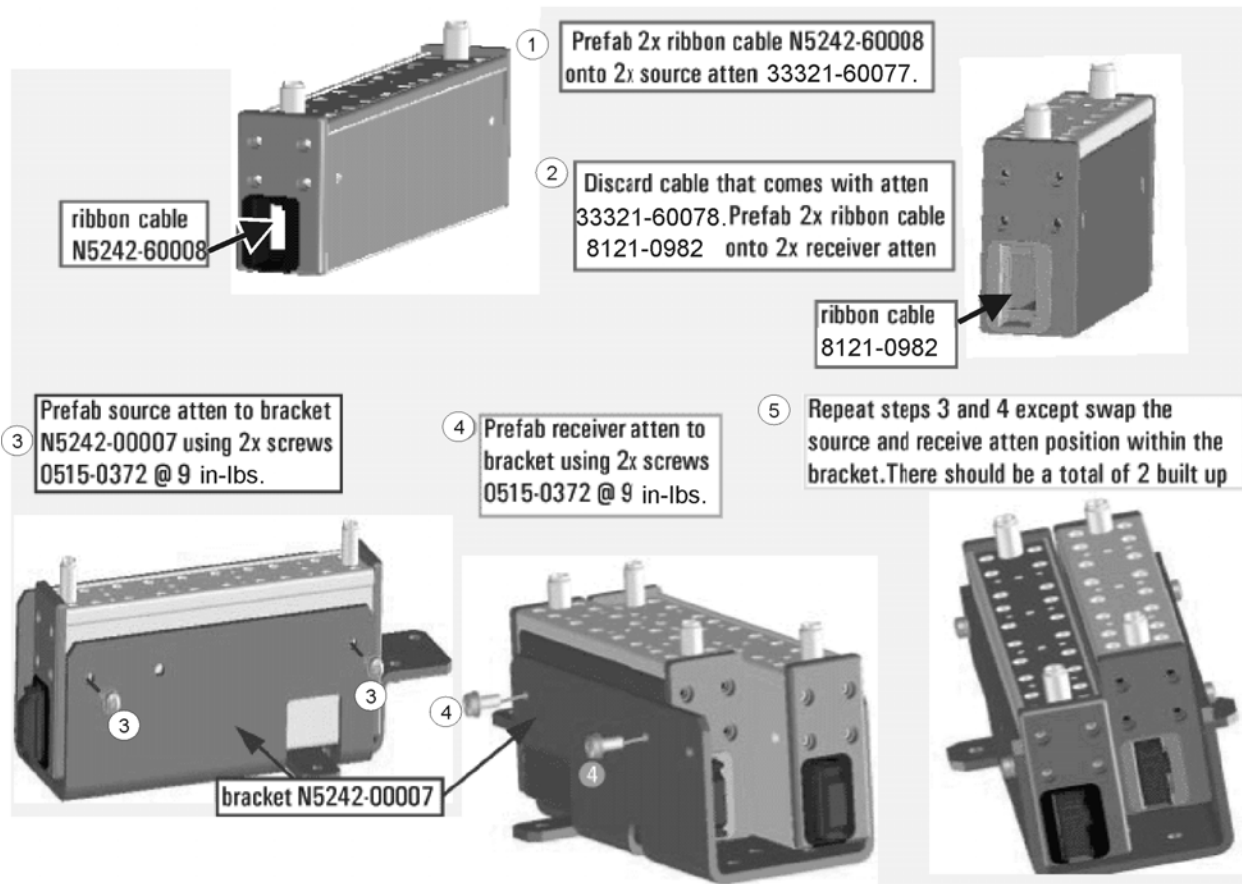


N5242_016_06

Step 11. Assemble the A35 and A36 Source Attenuators and the A43 and A44 Receiver Attenuators

Follow the five instructions shown in [Figure 5](#).

Figure 5 A35, A36 Source Attenuators Assembly and A43, A44 Receiver Attenuators Assembly



N5242_016_09

Step 12. Install the Bias Tees and the Attenuator Assemblies

CAUTION

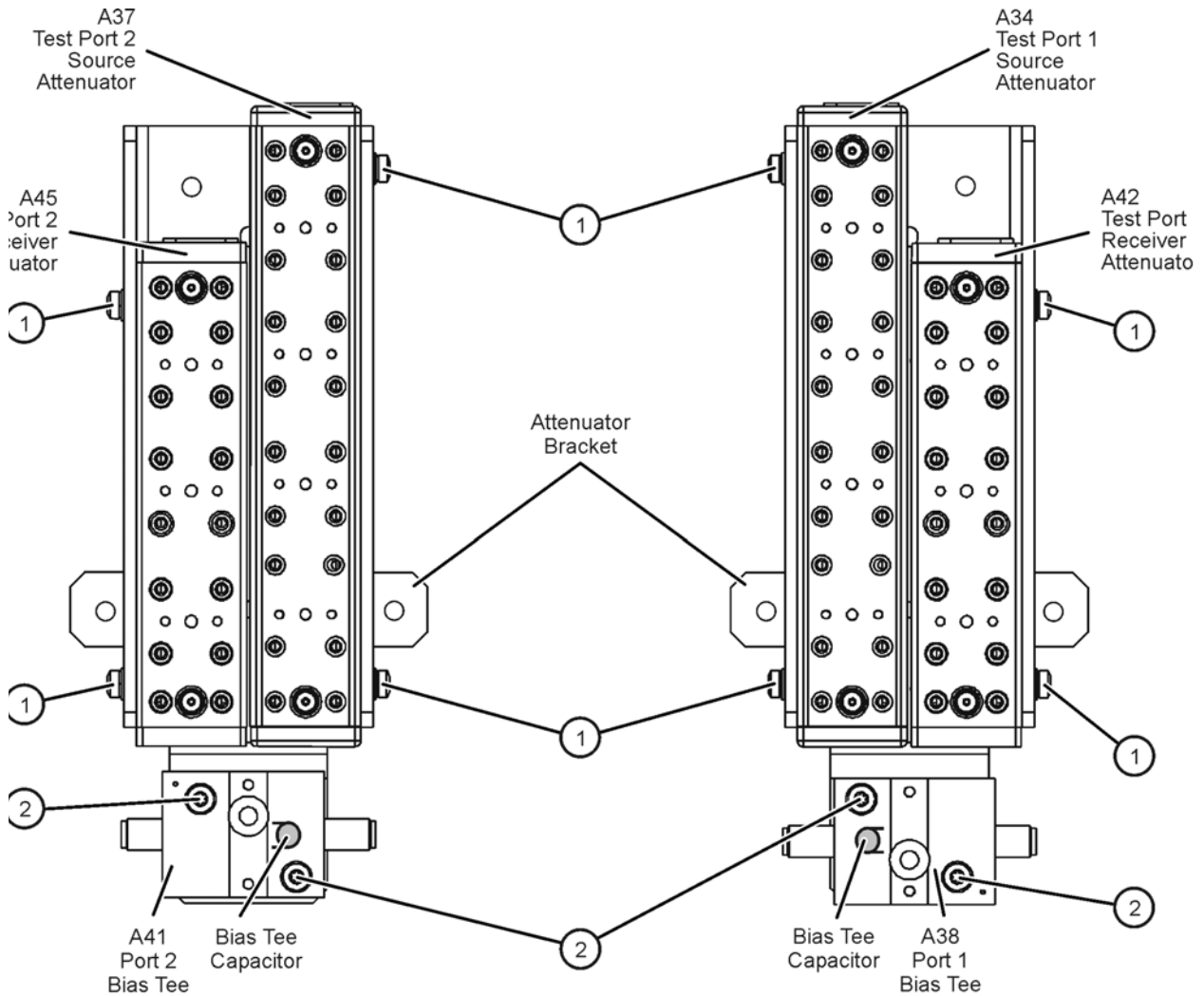
Installing these bias tees backwards will cause damage to the analyzer source modules.

1. Remove the old A38 bias tee and A41 bias tee from the PNA. For instructions, click the Chapter 7 bookmark, "Removing and Replacing the A38 - A41 Bias Tees" in the PDF Service Guide¹.
2. Discard the bias tees you just removed from the PNA. These old bias tees have 2.4 mm connectors and must be replaced with the new bias tees (3.5 mm connectors) included in the kit.

1. See ["Downloading the Online PNA Service Guide"](#) on page 6.

3. As shown in **Figure 6**, position the new A38 bias tee and A41 bias tee on the attenuator brackets so that the port 1 and port 2 bias tees capacitors face each other.
4. Secure each bias tee to the attenuator brackets reusing two screws (item ② - 0515-2994) for each. Make sure that the attenuators are oriented as shown.
5. Follow the two instructions shown in **Figure 7**. New parts are listed in **Table 1 on page 8** of this document.

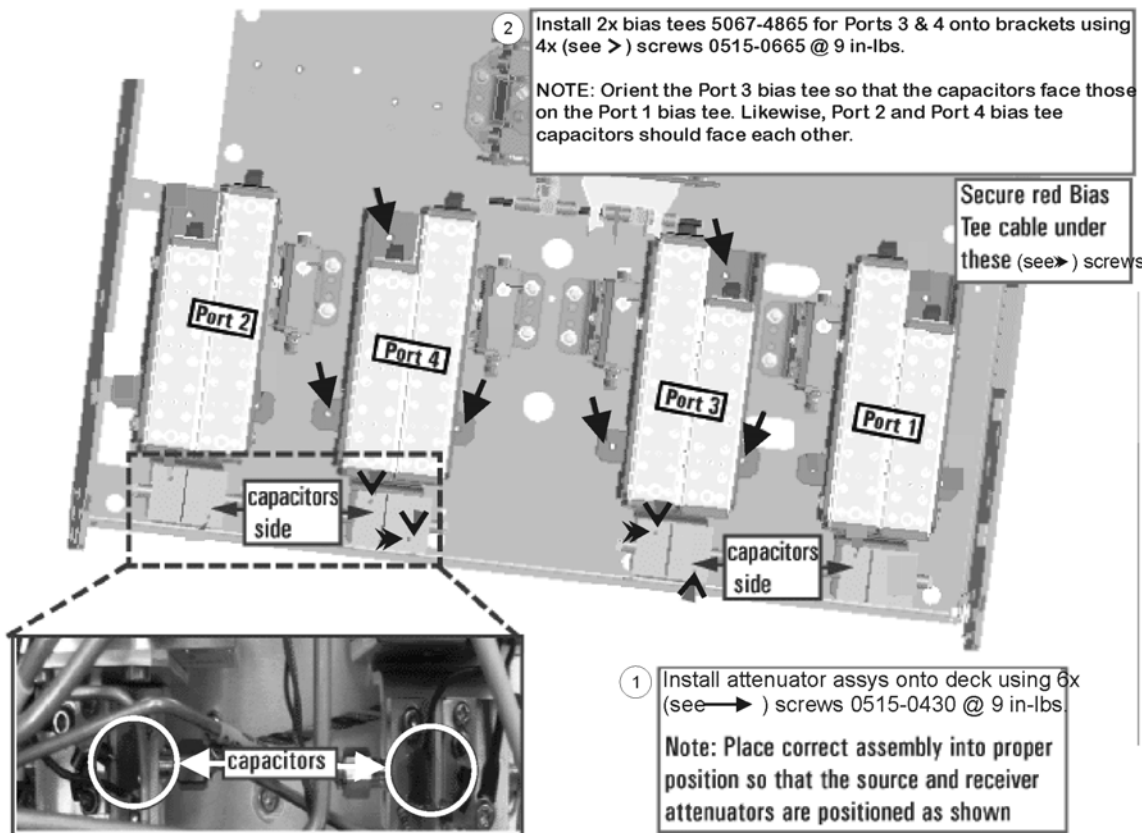
Figure 6 Step Attenuators and Bias Tees Assembly



n5242_016_5

Figure 7

Bias Tees and Attenuators Installation



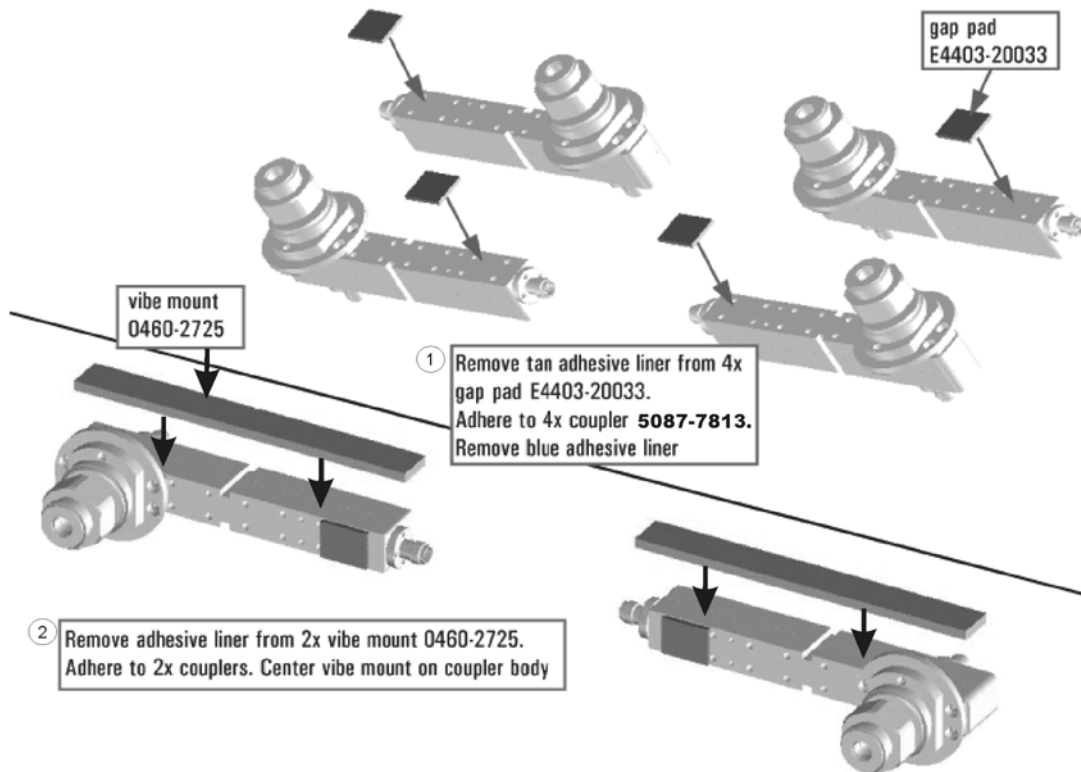
N5242_016_10

Step 13. Assemble the A29 - A32 Test Port Coupler Assemblies

1. Remove the A29 test port 1 coupler and A32 test port 2 coupler from the PNA. For instructions, click the Chapter 7 bookmark, "Removing and Replacing the A29 - A32 Test Port Couplers" in the PDF Service Guide¹.
2. Discard the test port couplers you just removed from the PNA. These old couplers have 2.4 mm connectors and must be replaced with the new couplers (3.5 mm connectors) included in the kit.
3. Follow the two instructions shown in [Figure 8](#). New parts are listed in [Table 1 on page 8](#) of this document.

1. See ["Downloading the Online PNA Service Guide"](#) on page 6.

Figure 8 A29 - A32 Test Port Coupler Assembly

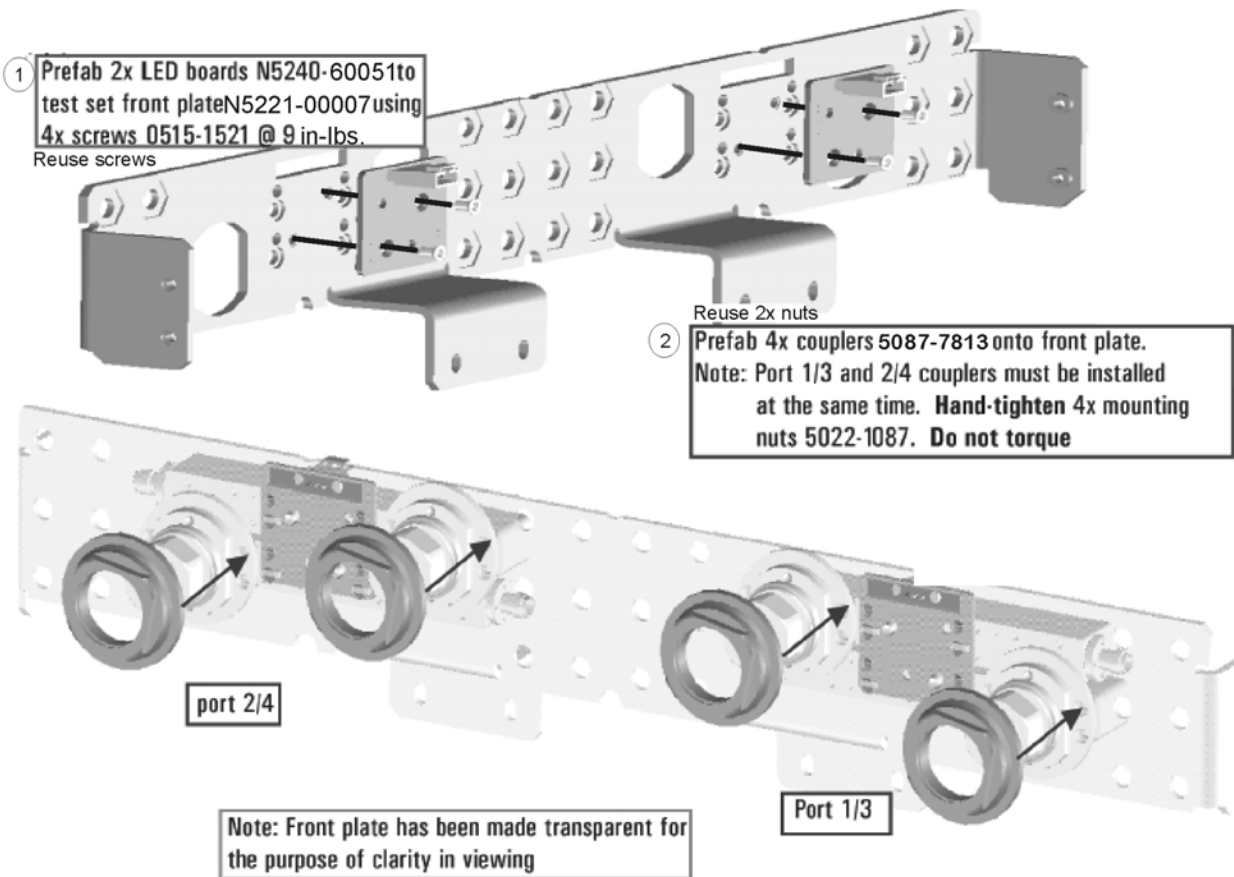


N5242_016_11

Step 14. Install the LED Boards and Test Port Coupler Assemblies to the Test Set Front Plate

1. Remove two screws from each LED board and remove the boards from the 2-port test set front plate of the PNA.
2. Remove the 2-port test set front plate from the test set deck.
3. Follow the two instructions shown in [Figure 9](#).

Figure 9 LED Board Assemblies and Test Port Coupler Assemblies Installation



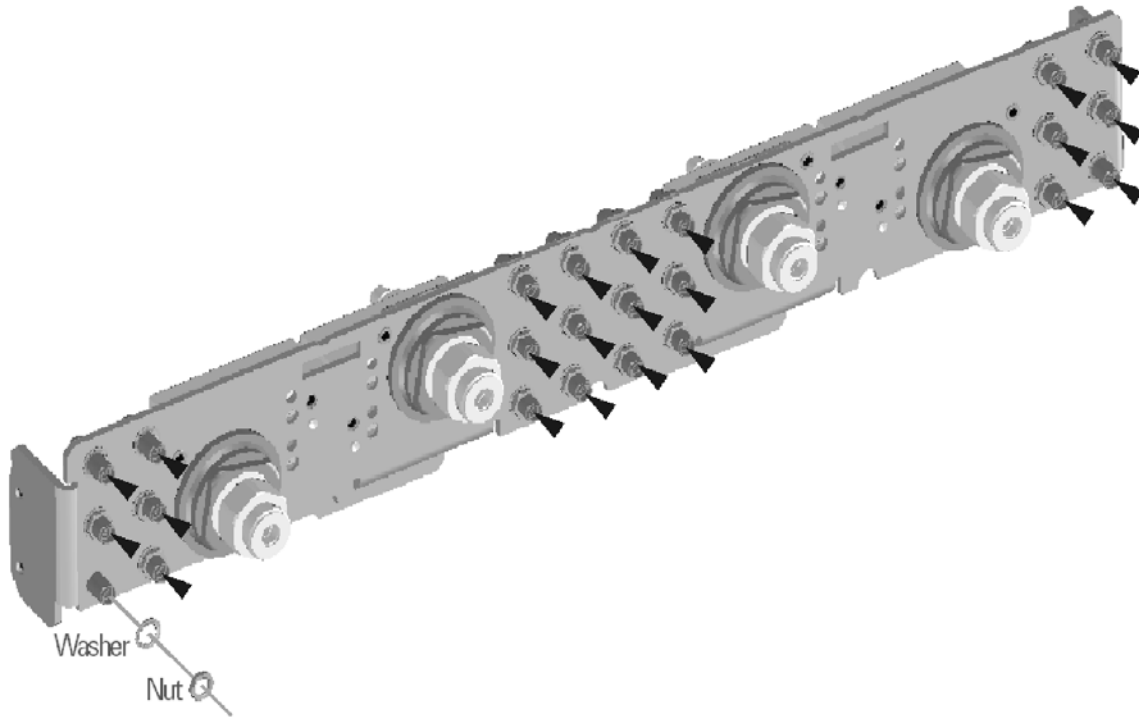
N5242_016_12

Step 15. Install the Bulkhead Connectors in the Test Set Front Plate

Refer to [Figure 10](#) for this procedure. New parts are listed in [Table 1 on page 8](#).

1. From the back side of the test set front plate, insert a bulkhead connector into a hole in the plate.
2. Install 1x washer and 1x nut. Hand tighten nut and ensure bulkhead connector hexagon nut, on the back side of test set front plate, is aligned to the test set subpanel hexagon indent.
3. Repeat previous two steps for the remaining bulkhead connectors.
4. Torque nuts, on the front side of test set front plate, to 21 in-lbs.

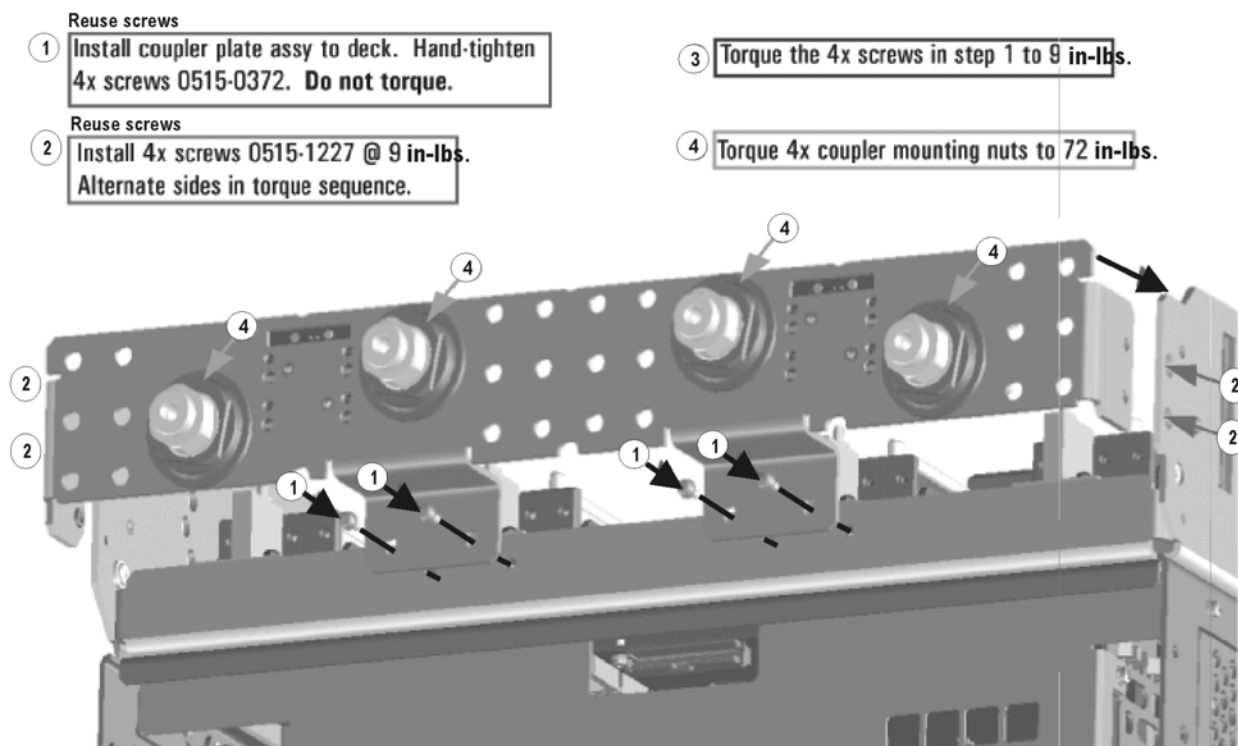
Figure 10 Bulkhead Connectors Installation



N5242_004_09

Step 16. Install the Coupler Plate Assembly to the Deck
Follow the four instructions shown in **Figure 11**.

Figure 11 Coupler Plate Assembly Installation



N5242_016_13

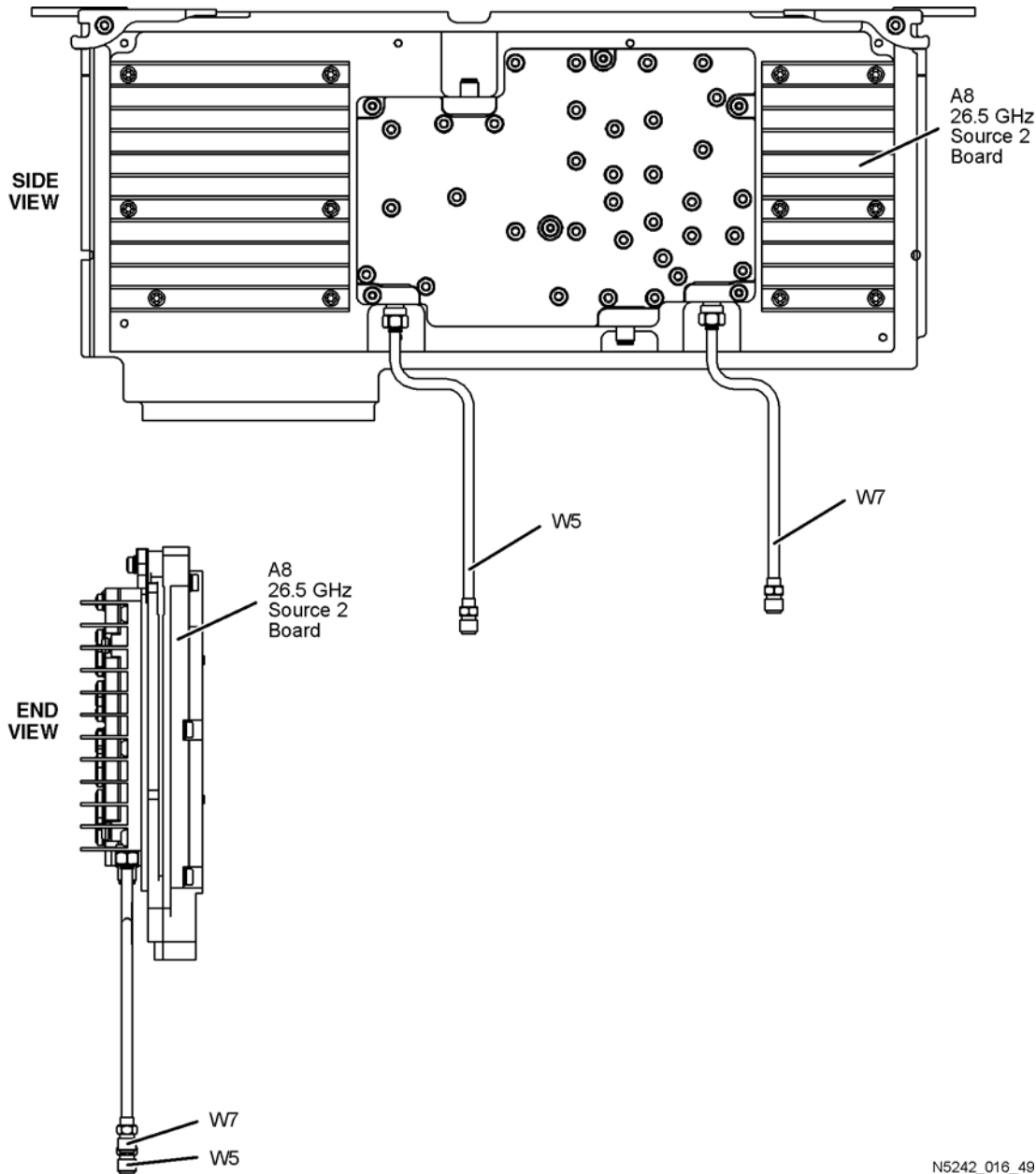
Step 17. Install the Second Source Boards

Install Cables on Source 2 Board

Refer to [Figure 12](#) of this document for this part of this step. New parts are listed in [Table 1 on page 8](#) of this document.

1. Attach new cables W5 (N5222-20062) and W7 (N5222-20063) to the A8 26.5 GHz source 2 board as shown. Make sure that both cables are parallel to the A8 26.5 GHz source board as shown in the END VIEW. Cable W5 is the longer of the two cables.
2. Use a 5/16-in torque wrench set to 10 in-lbs to tighten the cable connectors.

Figure 12 Second Source Boards Installation, Part 1



Install Cable on Source 2 Synthesizer Board

Install gray flex cable W67 (N5242-60030) to connector J5 of the Source 2 Synthesizer board. The loose end of the cable will be connected on the A10 frequency reference board (J7) after the Source 2 Synthesizer board has been installed in the analyzer.

Install the Second Source Boards into the Analyzer

Refer to **Figure 13** for this part of this step of the procedure. New parts are listed in **Table 1 on page 8**.

1. Install the A8 26.5 GHz source 2 board (5087-7837) and the A13 13.5 GHz source 2 synthesizer board (N5230-60002) in the analyzer as shown. Secure the A8 26.5 GHz source 2 board with two screws (item ①; 0515-0380) and torque to 21 in-lbs.
2. Connect cable W2 (N5222-20090) between the A8 26.5 GHz source 2 board and the A13 13.5 GHz source 2 synthesizer board as shown. Be sure to position the cable in the wire looms as shown. Tighten the cable connectors to 10 in-lbs using a 5/16-in torque wrench.
3. Connect the loose end of gray flex cable W67 (N5242-60030) to the A10 frequency reference board (J7). (The other end of this cable was previously connected to J5 of the source 2 synthesizer board.)

NOTE

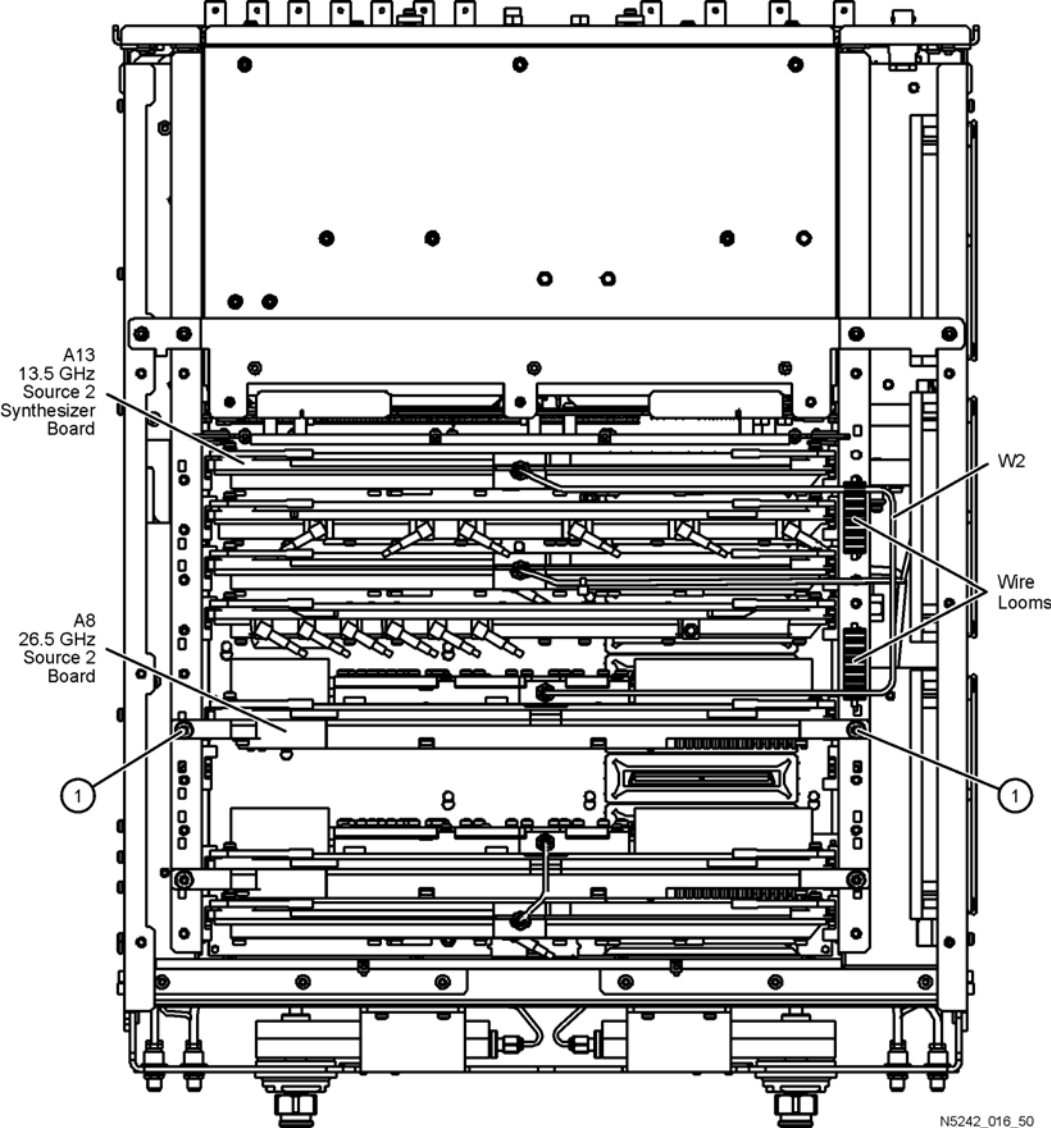
The three 13.5 GHz Synthesizer boards included in this kit are the RoHS compliant N5240-60076 boards. These new boards are not compatible with the old N5230-60002 13.5 GHz Synthesizer boards. If the boards installed in your PNA are the old N5230-60002, you must replace ALL of them with the N5240-60076 boards included in this kit - refer to your PNA Service Guide's chapter 7 for instructions. If your PNA already contains the new boards, scrap the two extra N5240-60076 boards included in this kit.

For the new N5240-60076 boards to function properly in your PNA, you must upgrade your PNA firmware to rev A09.33xx or above. Download PNA firmware at:

<http://na.support.keysight.com/pna/firmware/firmware.html>.

Figure 13

Second Source Boards Installation, Part 3



Step 18. Install the Test Set Cables

CAUTION

Follow instructions carefully when making cable connections, especially wire harness connections. Incorrect connections can destroy components, resulting in additional customer costs.

CAUTION

Be careful not to damage the center pins of the semirigid cables. Some flexing of the cables may be necessary but do not over-bend them.

CAUTION

Use a 5/16-in torque wrench set to 10 in-lbs on all cable connections except the front and rear panel bulkhead connectors. Torque these connections to 21 in-lb.

1. Install the following semirigid cables in the order listed. To see images showing the location of these cables, click the Chapter 6 bookmark “Bottom RF Cables, 4-Port, Option 419” in the PDF Service Guide¹. New parts are listed in [Table 1 on page 8](#).
 - W26 (N5222-20034) A32 port 2 coupler to front-panel Port 2 CPLR ARM
 - W93 (reuse) (N5242-20047) Port 2 RCVR B IN to A45 port 2 receiver attenuator
 - W85 (reuse) (N5242-20045) Port 2 CPLR THRU to A41 port 2 bias tee
 - W84 (reuse) (N5242-20046) A37 port 2 source attenuator to front-panel Port 2 SOURCE OUT
 - W135 (reuse) (Opt 029 only) (N5242-20073) Front-panel Port 2 RCVR B IN to A45 port 2 receiver attenuator
 - W128 (reuse) (Opt 029 only) (N5242-20134) A53 port 2 bypass switch to front-panel Port 2 SOURCE OUT
 - W127 (reuse) (Opt 029 only) (N5242-20116) A37 port 2 source attenuator to A53 port 2 bypass switch
 - W130 (reuse) (Opt 029 only) (N5242-20133) A53 port 2 bypass switch to A54 port 2 bridge
 - W129 (reuse) (Opt 029 only) (N5242-20117) A53 port 2 bypass switch to A54 port 2 bridge
 - W85 (N5222-20035) Front-panel Port 2 CPLR THRU to A41 port 2 bias tee
 - W73 (N5222-20029) Front-panel Port 1 CPLR THRU to A38 port 1 bias tee

1. See [“Downloading the Online PNA Service Guide” on page 6](#).

Description of the Upgrade
Installation Procedure for the Upgrade

- W86 (N5222-20013) A41 port 2 bias tee to A32 port 2 coupler
- W91 (N5222-20022) Port 4 RCVR D IN to A44 port 4 receiver attenuator
- W82 (N5222-20014) A40 port 4 bias tee to A31 port 4 coupler
- W81 (N5222-20017) Port 4 CPLR THRU to A40 port 4 bias tee
- W22 (N5222-20018) A31 port 4 coupler to front-panel Port 4 CPLR ARM
- W80 (N5222-20020) A36 port 4 source attenuator to front-panel Port 4 SOURCE OUT
- W39 (N5242-20271) REF 4 RCVR R4 IN to A24 mixer brick (R4)
- W89 (N5222-20021) Port 3 RCVR C IN to A43 port 3 receiver attenuator
- W74 (N5222-20012) A38 port 1 bias tee to A29 port 1 coupler
- W77 (N5222-20016) Port 3 CPLR THRU to A39 port 3 bias tee
- W18 (N5222-20015) A30 port 3 coupler to front-panel Port 3 CPLR ARM
- W76 (N5222-20019) A35 port 3 source attenuator to front-panel Port 3 SOURCE OUT
- W38 (N5242-20270) REF 3 RCVR R3 IN to A24 mixer brick (R3)
- W14 (N5222-20030) A29 port 1 coupler to front-panel Port 1 CPLR ARM
- W87 (reuse) (N5242-20041) Front-panel Port 1 RCVR A IN to A42 port 1 receiver attenuator
- W73 (reuse) (N5242-20039) Front-panel Port 1 CPLR THRU to A38 port 1 bias tee
- W72 (reuse) (N5242-20038) A34 port 1 source attenuator to front-panel Port 1 SOURCE OUT
- W125 (Opt 029 only) (N5242-20126) A52 port 1 bypass switch to A38 port 1 bias tee
- W132 (reuse) (Opt 029 only) (N5242-20072) Front-panel Port 1 RCVR A IN to A42 port 1 receiver attenuator
- W124 (reuse) (Opt 029 only) (N5242-20125) Front-panel Port 1 CPLR THRU to A52 port 1 bypass switch
- W123 (reuse) (Opt 029 only) (N5242-20127) A52 port 1 bypass switch to front-panel Port 1 SOURCE OUT

- W78 (N5222-20011) A39 port 3 bias tee to A30 port 3 coupler
 - * Loosen 3x screws on A33 Reference Mixer Switch board, then slide the board to the rear of the instrument to connect the following two cables (N5242-20042 and N5242-20043).
- W36 (reuse) (N5242-20042) Front-panel REF 1 RCVR R1 IN to A33 reference mixer switch
- W35 (reuse) (N5242-20043) A33 reference mixer switch to front-panel REF 1 SOURCE OUT
- W122 (reuse) (Opt 029 only) (N5242-20128) A34 port 1 source attenuator to A52 port 1 bypass switch
- W83 (reuse) (N5242-20002) A28 port 2 bridge to A37 port 2 source attenuator
- W25 (reuse) (N5242-20048) A28 port 2 bridge to front-panel REF 2 SOURCE OUT
 - * Secure W25 to side of deck with 1x tie wrap (1400-0249)
- W126 (reuse) (Opt 029 only) (N5242-20066) A28 port 2 bridge to A37 port 2 source attenuator
- W137 (reuse) (Opt 029 only) (N5242-20074) A28 port 2 bridge to front-panel REF 2 SOURCE OUT
- W79 (N5222-20001) A27 port 4 bridge to A36 port 4 source attenuator
- W75 (N5222-20002) A26 port 3 bridge to A35 port 3 source attenuator
- W17 (N5222-20023) A26 port 3 bridge to front-panel REF 3 SOURCE OUT
- W21 (N5222-20025) A27 port 4 bridge to front-panel REF 4 SOURCE OUT
 - * Use 1/4" wrench to hold source cable connectors when tightening mating semi-rigid cables
- W10 (reuse) (N5242-20053) W9 to A28 port 2 bridge
- W8 (N5222-20042) W7 to A27 port 4 bridge
- W90 (N5242-20306) A43 port 3 receiver attenuator to A24 mixer brick (C)
- W71 (reuse) (N5242-20005) A25 port 1 bridge to A34 port 1 source attenuator
- W46 (reuse) (N5242-20090) W45 to rear-panel EXT TSET DRIVE RF OUT (J6)
- W4 (reuse) (N5242-20050) W3 to A25 port 1 bridge

Description of the Upgrade
Installation Procedure for the Upgrade

- W121 (reuse) (Opt 029 only) (N5242-20067) A25 port 1 bridge to A34 port 1 source attenuator
- W6 (N5222-20041) W5 to A26 port 3 bridge
- W37 (reuse) (N5242-20009) A33 reference mixer switch to A23 mixer brick (R1)
 - * Secure W37 to side of deck with 3x tie wrap (1400-0249)
- W88 (reuse) (N5242-20010) A42 port 1 receiver attenuator to A23 mixer brick (A)
- W13 (reuse) (N5242-20011) A25 port 1 bridge to A33 reference mixer switch
- W136 (reuse) (Opt 029 only) (N5242-20068) A33 reference mixer switch to A23 mixer brick (R1)
- W133 (reuse) (Opt 029 only) (N5242-20069) A42 port 1 receiver attenuator to A23 mixer brick (A)
- W94 (reuse) (N5242-20016) A45 port 2 receiver attenuator to A23 mixer brick (B)
- W92 (N5242-20307) A44 port 4 receiver attenuator to A24 mixer brick (D)
- W40 (reuse) (N5242-20049) Front-panel REF 2 RCVR R2 IN to A23 mixer brick (R2)
- W134 (reuse) (Opt 029 only) (N5242-20070) A45 port 2 receiver attenuator to A23 mixer brick (B)
- W138 (reuse) (Opt 029 only) (N5242-20075) Front-panel REF 2 RCVR R2 IN to A23 mixer brick (R2)
- W43 (N5222-20007) A22 splitter to A23 mixer brick
 - * Leave the W43 loose for now.
- W44 (N5222-20008) A22 splitter to A24 mixer brick
 - * Leave the W44 loose for now.
- W42 (N5222-20009) A21 HMA26.5 to A22 splitter
 - * Leave the W42 loose for now.
 - * Tighten 2x screws on A22 splitter. Torque to 9 in-lbs.
 - * Tighten cable nuts on W42, W43, and W44. Torque to 10 in-lbs.
- W140 (Opt 029 only) (N5242-20294) A24 mixer brick to A55 noise downconverter
- W47 (reuse) (N5242-20089) A23 mixer brick to rear-panel EXT TSET DRIVE LO OUT (J5)
- W41 (reuse) (N5242-20110) A11 13.5 GHz synthesizer to A21 HMA26.5
 - * Route cable through deck cutout to A11 synthesizer board.

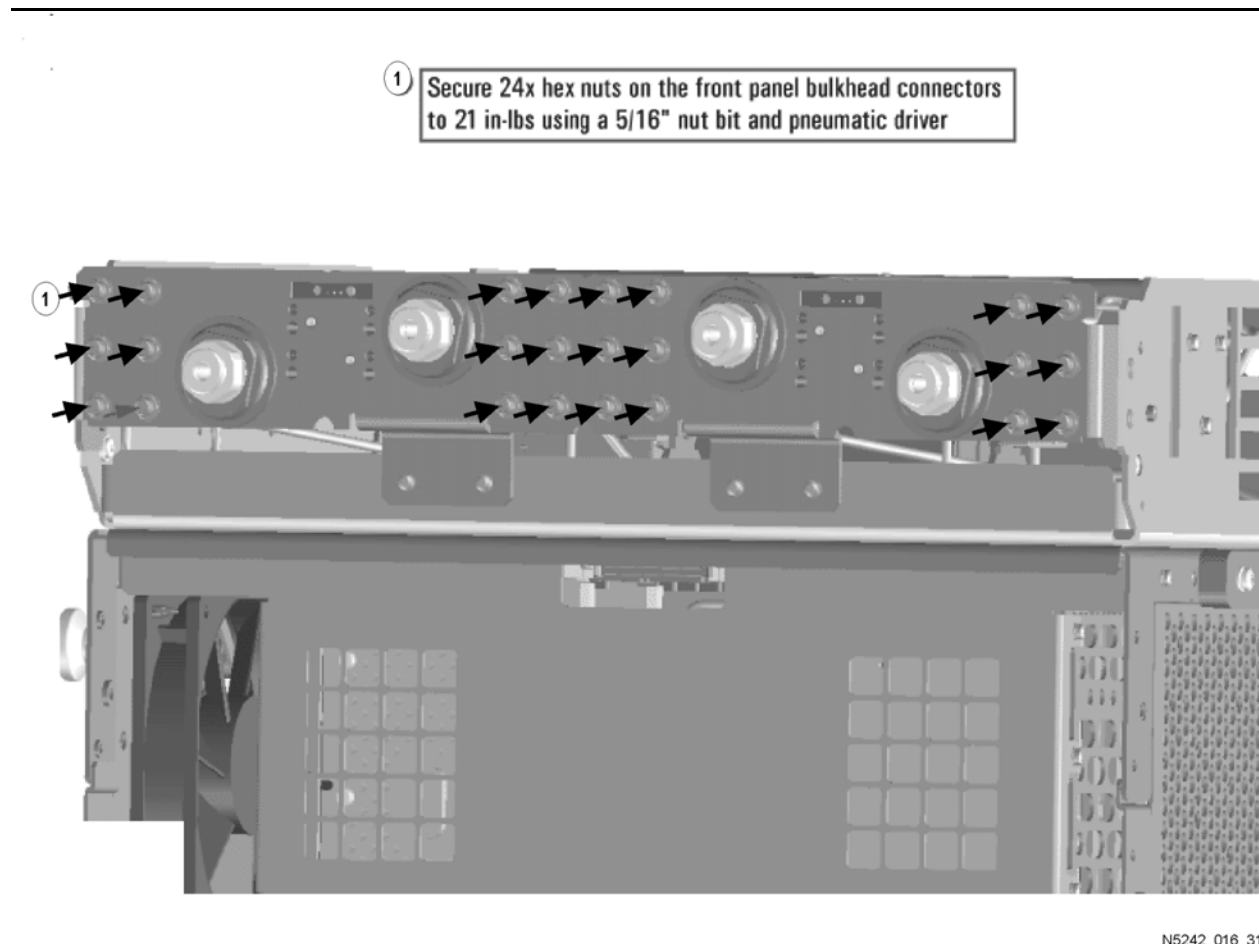
Description of the Upgrade
Installation Procedure for the Upgrade

- W60 (N5242-60013) A20 IF multiplexer (P203) to A12 SPAM (J2)
- W62 (N5242-60015) A20 IF multiplexer (P603) to A12 SPAM (J5)
- W30 (reuse 6x) (N5222-20091) Front panel jumpers

Step 19. Secure the Front Panel Bulkhead Connectors

Follow the instruction shown in **Figure 14** in this document.

Figure 14 Bulkhead Connections, Front Panel



Step 20. Reinstall the A19 Test Set Motherboard

CAUTION

Follow instructions carefully when making cable connections, especially wire harness connections. Incorrect connections can destroy components, resulting in additional customer costs.

1. For instructions on reinstalling the board, click the Chapter 7 bookmark “Removing and Replacing the A19 Test Set Motherboard” in the PDF Service Guide¹.

2. Install the following new ribbon cables in the order listed. To see an image showing the location of these cables, click the Chapter 6 bookmark “Bottom Ribbon Cables and Wire Harnesses, 4-Port, Option 419 (including Option 029)” in the PDF Service Guide¹. New parts are listed in [Table 1 on page 8](#).
 - Ribbon cable, N5242-60006 from J213 to A24 mixer brick (2)
 - Ribbon cable (part of bias tee assembly), port 3 bias tee to A19 test set motherboard J543
 - Ribbon cable (part of bias tee assembly), port 4 bias tee to A19 test set motherboard J544
 - Ribbon cable (8121-0982), A19 test set motherboard J206 to A43 port 3 receiver attenuator
 - Ribbon cable (8121-0982), A19 test set motherboard J207 to A44 port 4 receiver attenuator
 - Ribbon cable (N5242-60008), A19 test set motherboard J202 to A35 port 3 source attenuator
 - Ribbon cable (N5242-60008), A19 test set motherboard J203 to A36 port 4 source attenuator

Step 21. Disassemble the 2-Port Front Panel and Assemble the 4-Port Front Panel

Before the front frame can be replaced, the items making up the back side of the front panel assembly must be removed. For instructions on removing these items, click the Chapter 7 bookmark “Removing and Replacing the A1-A3 and Other Front Panel Subassemblies” in the PDF Service Guide¹. New parts are listed in [Table 1 on page 8](#).

1. In the section “Removing the A2 USB Board,” perform step 1 (the only step).
2. In the section “Removing the A1 Front Panel Interface Board and Keypad Assembly”, perform steps 1 - 5.
3. In the section “Removing the Power Switch Board and Power Button Keypad”, perform only steps 1 and 2.
4. Remove the braided gasket from the backside edges of the 2-port front frame and install it in the 4-port front frame (N5247-20141).
5. Rebuild the front panel assembly with the new 4-port front frame (N5247-20141) by reversing the order of the instructions previously followed.

1. See [“Downloading the Online PNA Service Guide” on page 6](#).

Step 22.Reinstall the Front Panel Assembly

For instructions on reinstalling the front panel assembly, click the Chapter 7 bookmark “Removing and Replacing the Front Panel Assembly” in the PDF Service Guide¹.

In addition, attach the lower front dress panel to the test set front plate using 4x screws 0515-1227.

Step 23.Install the Front Panel Overlays

To see an image of the front panel overlay, keypad overlay, and power button overlay, click the Chapter 6 bookmark “Front Panel Assembly, Front Side, All Options” in the PDF Service Guide¹. New parts are listed in **Table 1 on page 8**.

- 1. Remove the protective backing from the new front panel overlay.**
- 2. Loosely place the overlay in the recess on the front panel.**
- 3. Placing two fingers at the middle, press the overlay firmly onto the frame while sliding your fingers in opposite directions towards the ends of the overlay. Repeat on all areas of the overlay.**
- 4. Repeat steps 1-3 to install the keypad overlay (N5242-80005).**
- 5. Repeat steps 1-3 to install the power button overlay (N5242-80007).**
- 6. Repeat steps 1-3 to install the new nameplate (N5241-80001 for N5241A models or N5242-80006 for N5242A models).**

Step 24.Install the Front Panel Jumper Cables

For instructions on installing the W30 front panel jumpers (N5222-20091), click the Chapter 7 bookmark “Removing and Replacing the Front Panel Assembly” in the PDF Service Guide¹.

Step 25. Position the Cables and Wires to Prevent Pinching

On the top side of the PNA, carefully position the grey flex cables so they can't be pinched between the covers and the rails.

On the bottom side of the PNA, carefully fold or push down the ribbon cables and wires so they can't be pinched between the hardware and the outer cover. Ribbon cables and wires must never be positioned on top of hardware.

Step 26.Reinstall the Inner Cover

For instructions, click the Chapter 7 bookmark “Removing the Covers” in the PDF Service Guide¹.

Step 27.Reinstall the Outer Cover

For instructions, click the Chapter 7 bookmark “Removing the Covers” in the PDF Service Guide¹.

Step 28.Remove Option 219 License

Procedure Requirements

- The analyzer must be powered up and operating to perform this procedure.
- The Network Analyzer program must be running.
- A keyboard and mouse must be connected to the network analyzer.

Option 219 License Removal Procedure

1. To start the option enable utility, press UTILITY **System**, then **Service**, then **Option Enable**. An option enable dialog box will appear.
2. Click the arrow in the Select Desired Option box. A list of available options will appear.
3. In the Select Desired Option list, click 219.
4. Click Remove.
5. Click OK to confirm that you want to remove the license for the selected option.
6. Click Yes in answer to the displayed question in the Restart Analyzer? box.

Step 29.Enable Options P04 and 419

Procedure Requirements

- The analyzer must be powered up and operating to perform this procedure.
- The Network Analyzer program must be running.
- A keyboard and mouse must be connected to the network analyzer.

Option Enable Procedure

1. To start the option enable utility, press UTILITY **System**, then **Service**, then **Option Enable**. An option enable dialog box will appear.
2. Click the arrow in the Select Desired Option box. A list of available options will appear.
3. In the Select Desired Option list, click P04 - 4-Ports.
4. Using the keyboard, enter the license key in the box provided. The license key is printed on the license message you received from Keysight. Enter this key exactly as it is printed on the message.

5. Click Enable.
6. Click Yes in answer to the displayed question in the Restart Analyzer? box.
7. Repeat steps 3-6 to enable Option 419, clicking 419 - Src/Rcvr Atten & Bias Ts 4-Port in step 3.
8. When the installation is complete, click Exit.

Option Verification Procedure

Once the analyzer has restarted and the Network Analyzer program is again running:

1. On the analyzer's Help menu, click About Network Analyzer.
2. Verify that "P04" and "419" are listed, but "219" is not listed after "Options:" in the display. Click OK.

NOTE

If the options have not been enabled or if the option 219 license has not been removed, perform the prior steps again. If the options are still not correct, contact Keysight Technologies. Refer to ["Getting Assistance from Keysight" on page 4](#).

Step 30. Perform Post-Upgrade Adjustments and Calibration

Adjustments

The following adjustments must be made due to the hardware changes of the analyzer.

- default EE
- source adjustment
- receiver adjustment
- receiver characterization

These adjustments are described in the PNA Service Guide and in the PNA on-line HELP. A list of equipment required to perform these adjustments is also found in the service guide.

After the specified adjustments have been performed, the analyzer should operate and phase lock over its entire frequency range.

Operator's Check

Perform the Operator's Check to check the basic functionality of the analyzer. For instructions, click the Chapter 3 bookmark "Tests and Adjustments" in the PDF Service Guide¹.

If you experience difficulty with the basic functioning of the analyzer, contact Keysight. Refer to ["Contacting Keysight" on page 4](#).

Calibration

Although the analyzer functions, its performance relative to its specifications has not been verified. It is recommended that a full instrument calibration be performed using the analyzer's internal performance test software. To view information on the performance test software, click the Chapter 3 bookmark "Tests and Adjustments" in the PDF Service Guide¹.

Step 31. Prepare the PNA for the User

1. If necessary, reinstall front jumper cables.
2. Install the cable guards, pushing them over the front jumper cables until the cushioning material touches the front panel of the PNA.
3. Install the dust caps on the test ports.
4. Clean the analyzer, as needed, using a damp cloth.

1. See ["Downloading the Online PNA Service Guide"](#) on page 6.

This information is subject to change without notice.
© Keysight Technologies 2009-2015
June, 2015



N5242-90016
www.keysight.com